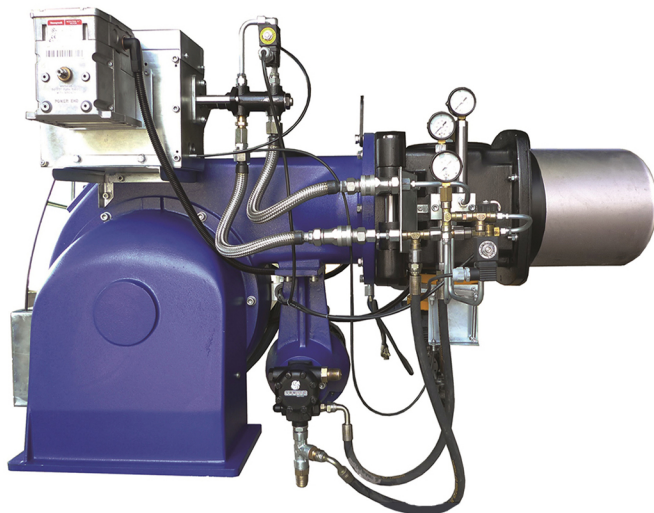


Eshteal Arak Industrial Engineering Company is the only manufacturer of high-capacity rotary cup burners in the country, and these burners are used by all boiler companies in the country. Among the unique products produced by this company are power valves that are designed for saturated and superheated steam lines. This product was produced for the first time in the country in 2014 in the Mobarake steel complex and at a pressure of 70 bar. It has been used successfully. Eshteal Arak Industrial Engineering Company has been modernizing its production lines since 2003 and is currently equipped with more than 98 machines, 61 of which are CNC lathes and milling centers (referred to at the end), stepped into the field of producing products with modern sophisticated technology. It should be mentioned that this company has succeeded in obtaining the knowledge-based badge on burners and valves during two consecutive periods, and in order to enhance the brand and satisfy customers, the necessary standards such as ISIRI 7595, ISIRI 7594, ISO 3834, ISO 9001:2015 and implemented 5S



The EW series covers a firing range from 1162kW through to 3300kW, and have been designed for use on hot water or industrial steam Boilers.

EW Series Burner



ESHTEAL ARAK

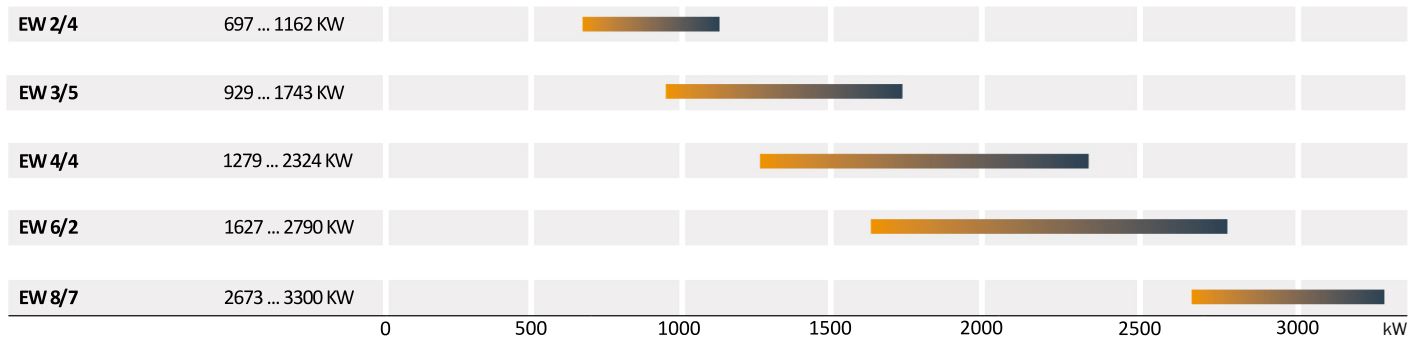
INDUSTRIAL ENGINEERING CO.
Manufacturer of burners, valves
and precision tools for steam boilers

☎ 5
☎ 09908136277 (sales)
☎ 09912709038 (after sales)
🏠 34131217
✉ eshteal.arak@gmail.com
✉ eshteal.commerce@gmail.com
📷 eshtealarak

📍 Factory: Hadid St-Haji Abad Industrial Zone 7th km
of Qom Road-Arak-Iran
📍 Head office: 4th floor-No.3 Apartment Asef Vaziri
alley southern Bahar St Taleghani St-Tehran-Iran

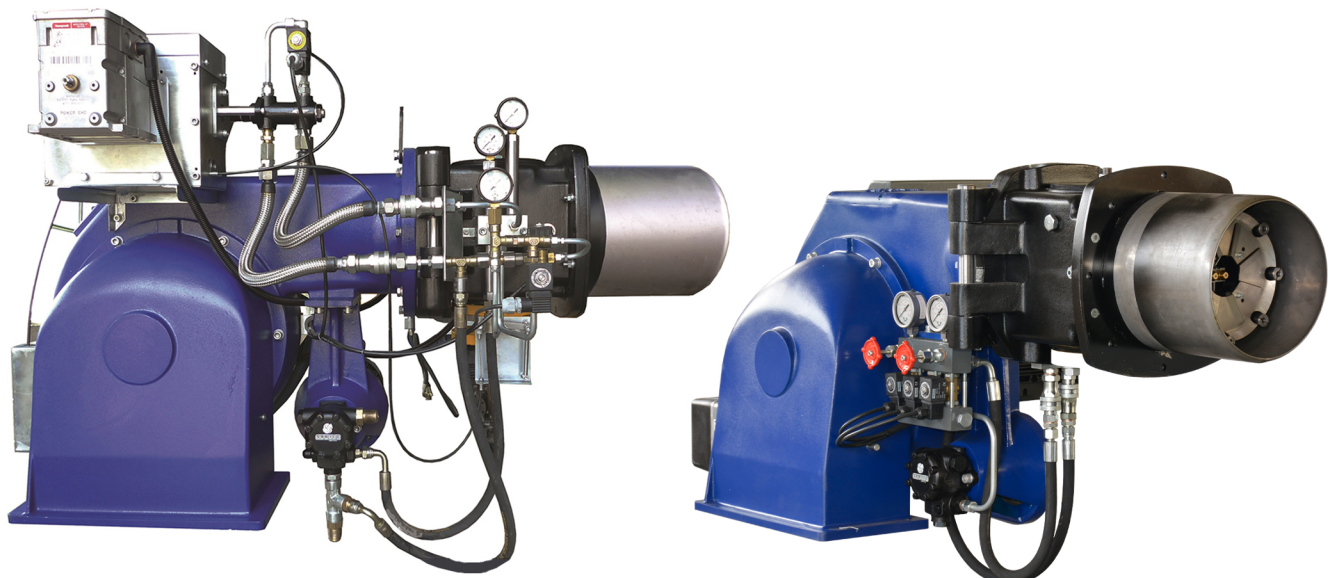
EW SERIES BURNER

RANGE OVERVIEW

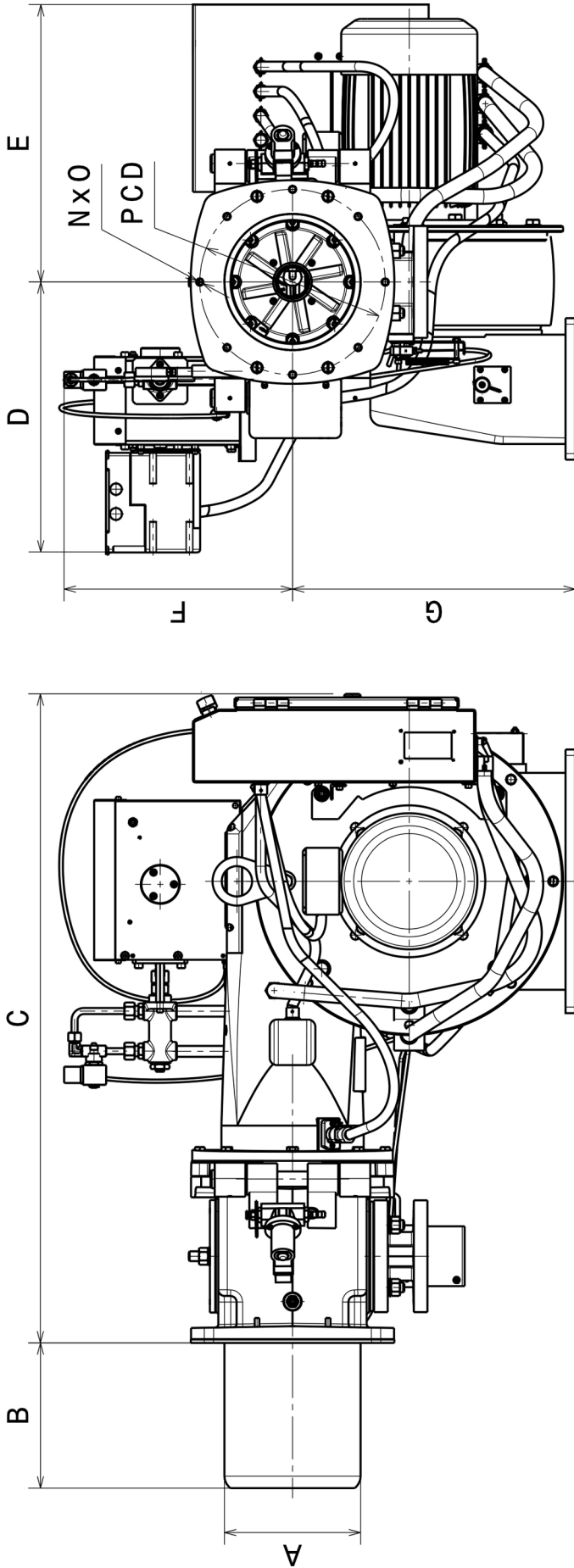


MAIN FEATURES

- For Two Stage Operation use twin simplex oil nozzles, the oil nozzles are sized to give a turndown ratio 2:1.
- For fully modulating operation use a single spill-back oil nozzle. If the burner has been correctly matched to the appliance, a turndown ratio of up to 3:1.
- Suitable for gas (LPG, NG) and oil (Light oil, Heavy oil).
- Suitable for high resistance boilers.
- Designed in accordance with the European Standard EN 676 and EN267 and approved in accordance with the Iranian Standard ISIRI 7594 and ISIRI 7595.
- Fully closing air damper.
- Preheater available for Heavy-oil.
- Diffuser controls the combustion air flow and creates a pressure drop across the burner head, promoting good fuel/air mixing and flame stability.
- Emission class: Low NOx class 2 (≤ 120 mg/kWh)
- Version with fully electronic Burner Management System available for Modulating models (LAMTEC combustion management system).



Dimensions (approx .) in mm



BURNER MODEL	A	B	C	D	E	F	G	Hole NO.	d	PCD
EW 2.4	224	240	1070	460	460	400	500	8	12	305
EW 3.5	224	240	1070	460	460	400	500	8	12	305
EW 4.4	224	240	1070	460	460	400	500	8	12	305
EW 6.2	252	240	1070	460	460	400	500	8	12	305
EW 7.8	252	240	1070	460	460	400	500	8	12	305
EW 8.7	252	240	1070	460	460	400	500	8	12	305